

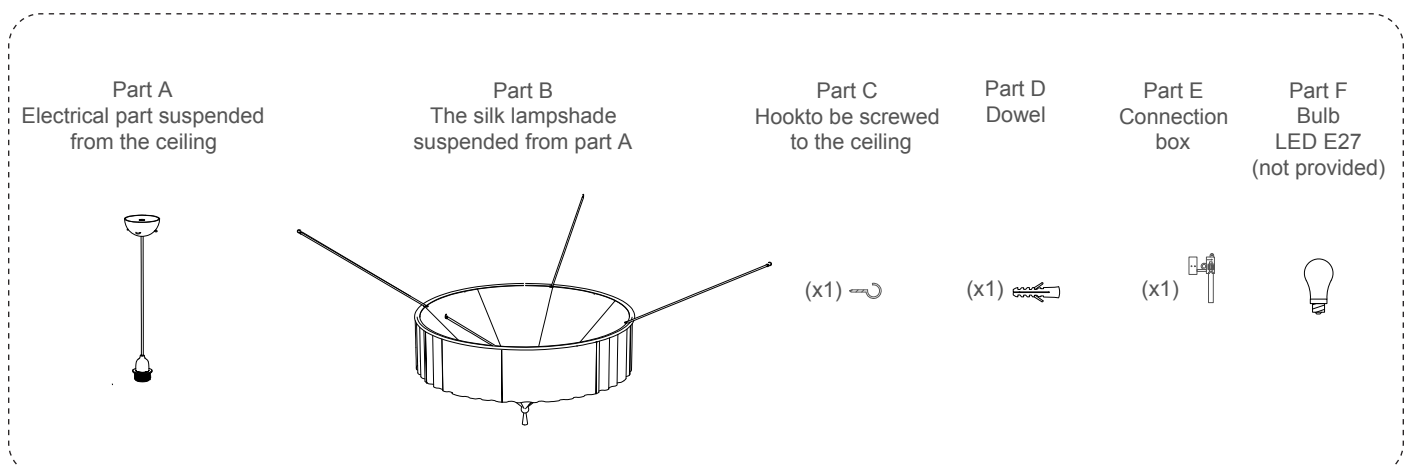
How to install your new light :

Please check that you received all of the components pictured in this guide. Reach out to us if anything is missing.

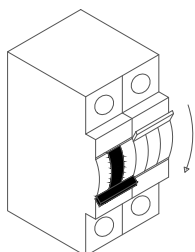
CAUTION :

Electrical shock risk. Turn off electrical power at the main fuse box or circuit panel before beginning installation, servicing the light, or installing accessories.

We recommend working with a qualified electrician familiar with the type of work you'd like done.



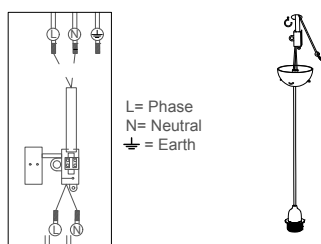
Step 1: Turn off the power supply at the main fuse box or electrical panel before beginning installation.



Step 2: Drill a hole in the ceiling and screw the screw-in dowel (D) and the hook (C) which will allow the suspension to be hung.



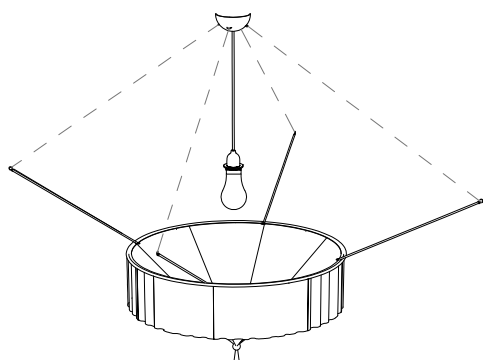
Step 3: Connect the cables of the lamp with the cables of the wall using the junction box (E).



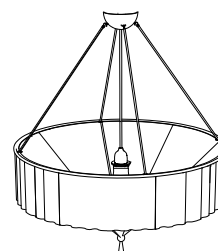
Step 4: Attach the half-sphere of the electrical part (A) to the hook (C) fixed to the ceiling then screw the bulb (F) to the socket.



Step 5: Attach the lampshade hangers (B) to the half sphere rings.



Step 6: Your suspension is ready to use



Instruction for cleaning

How to clean your lamp

Unplug the lamp from the outlet before performing any cleaning operation. In the case of ceiling or wall lamps, make sure the switch is off.

Silk lamp

To maintain silk, it must be cleaned with a soft and dry cloth.

Good to know

Use an opal light bulb, if you want a uniform and diffuse light distribution.

Sold separately

Light bulb sold separately. EBUR recommends the E27 LED light bulb a maximum power of 10w..

End of life of the product

EBUR SAS declares that all of its products are manufactured in accordance with the Policies 2014/35/EU, for Low-voltage Equipment, 2014/30/EU concerning electromagnetic compatibility, and 2011/65/EU-RoHs2, on restrictions of the use of certain hazardous substances in electrical and electronic equipment.



The symbol of the rubbish bin with the prohibition sign indicates that this item should be separated from domestic waste. It should be handed in for recycling in accordance with local environmental regulations for waste disposal. By separating a marked item from household waste, you are helping to reduce the volume of waste sent to incinerators or landfills, thereby minimizing the potential negative impact on public health and the environment. All liability for defect or damage caused by the improper assembly of the lamp is rejected.