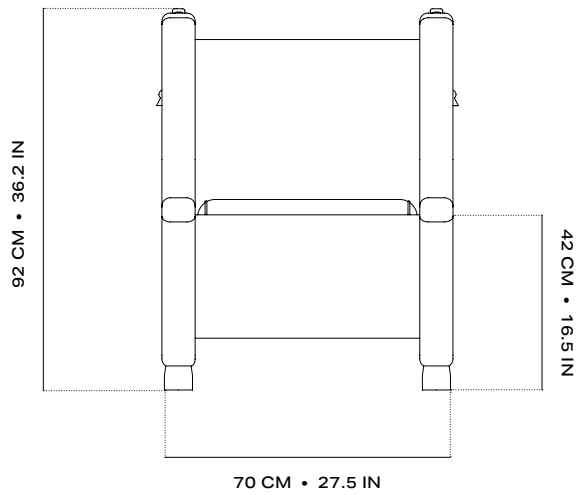
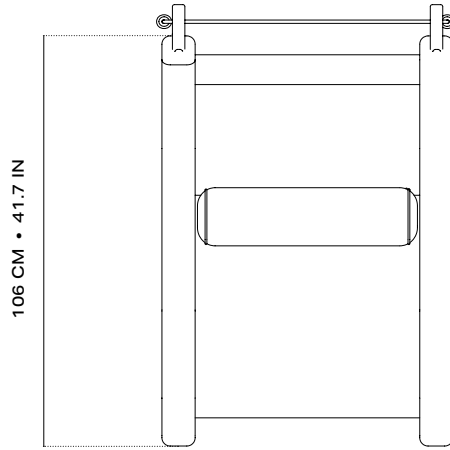


VISCONTI ARMCHAIR

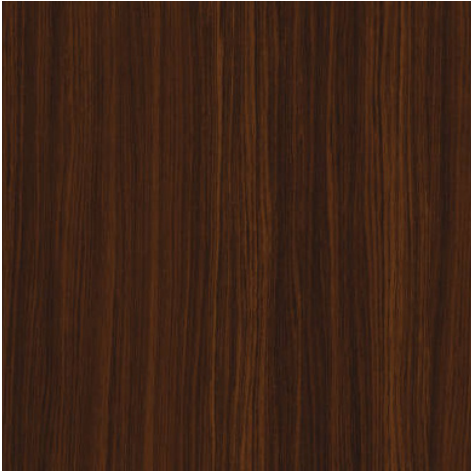
The Visconti armchair is upholstered in Pierre Frey fabric. The backrest is accented with two solid wood elements from which a Samuel & Sons silk chair tassel is suspended. Crafted in France in an exceptional workshop.



DETAILS	
MATERIALS	PIERRE FREY FABRIC, WOOD
WEIGHT	25 KG
LEAD TIME	16 TO 18 WEEKS
PRODUCTION	FRANCE

VISCONTI ARMCHAIR

WOOD ESSENCES

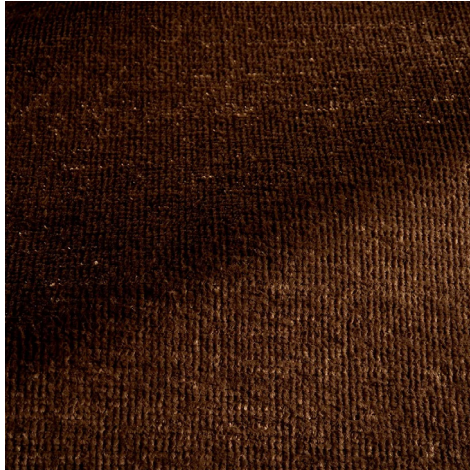


WALNUT

FABRIC



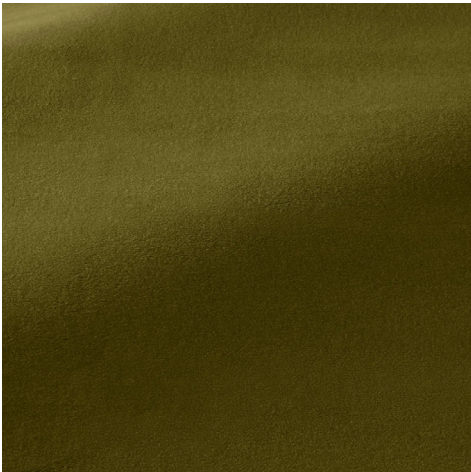
PALLADIO VELVET - PIERRE FREY
The full range of colors is available



PALLADIO CHENILLE - PIERRE FREY
The full range of colors is available



MEDICIS CHENILLE - PIERRE FREY
The full range of colors is available



TOUNDRA VELVET - PIERRE FREY
The full range of colors is available

EBUR EDITIONS