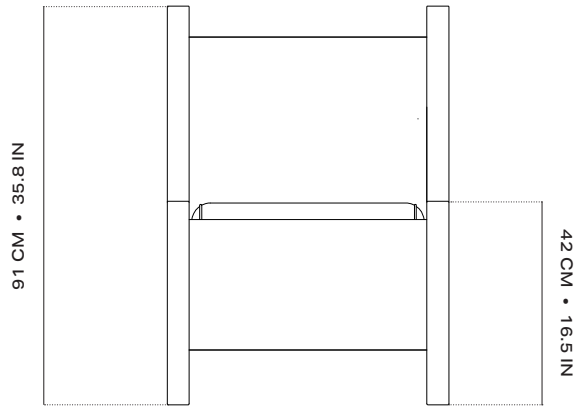


KOLA ARMCHAIR

The Kola armchair features sculptural solid oak legs with clean, curved lines and is upholstered in Pierre Frey fabric with a woven raffia look. Crafted in France by an exceptional workshop.



DETAILS	
MATERIALS	SOLID OAK, PIERRE FREY FABRIC
WEIGHT	30 KG
LEAD TIME	16 TO 18 WEEKS
PRODUCTION	FRANCE

KOLA ARMCHAIR

WOOD ESSENCES



BRUSHED MEDIUM OAK

FABRIC



ANGKOR - PIERRE FREY
The full range of colors is available