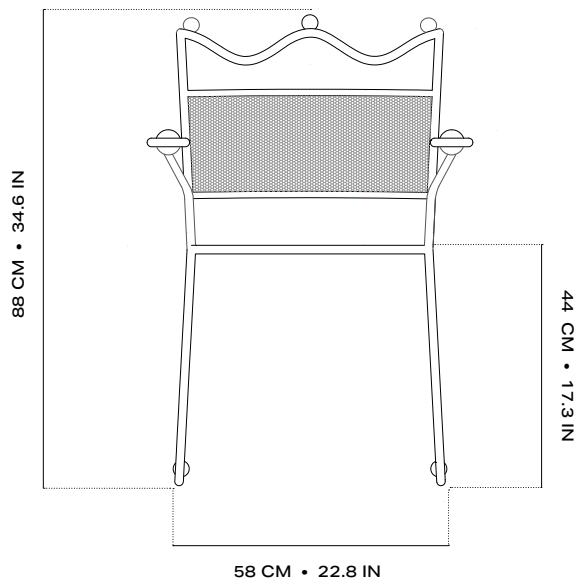
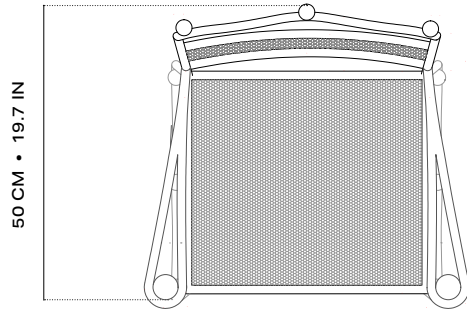


1/2
OBJECT SHEET

REINE ARMCHAIR

The Reine chair, with its undulating lines and spherical ornamentation, is designed for both indoor and outdoor use. The seat and backrest are covered with removable and washable cushions.



DETAILS	
MATERIALS	WROUGHT IRON, INDOOR/OUTDOOR FABRIC
WEIGHT	10 KG
LEAD TIME	12 TO 14 WEEKS
PRODUCTION	FRANCE

REINE ARMCHAIR

METAL



HIGH-GLOSS WHITE LACQUER



HIGH-GLOSS BLACK LACQUER

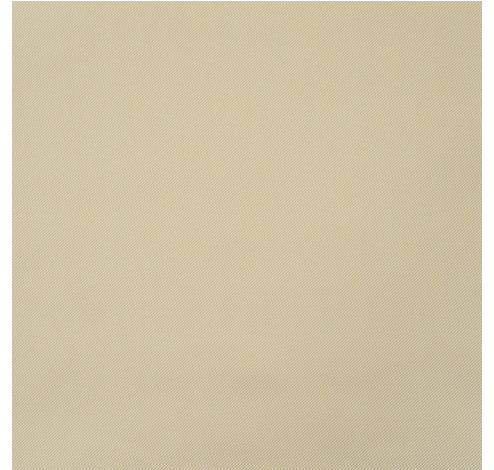
FABRIC



GOLF, LINEN - PIERRE FREY
The full range of colors is available



AMALFI, INDOOR/OUTDOOR - JIM THOMPSON
The full range of colors is available



SERGE, INDOOR/OUTDOOR - JIM THOMPSON
The full range of colors is available